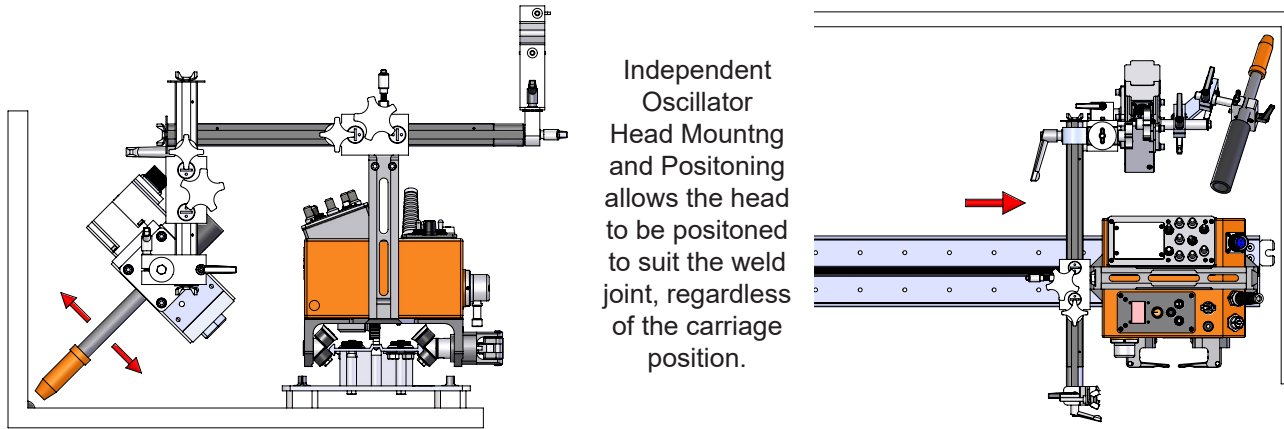
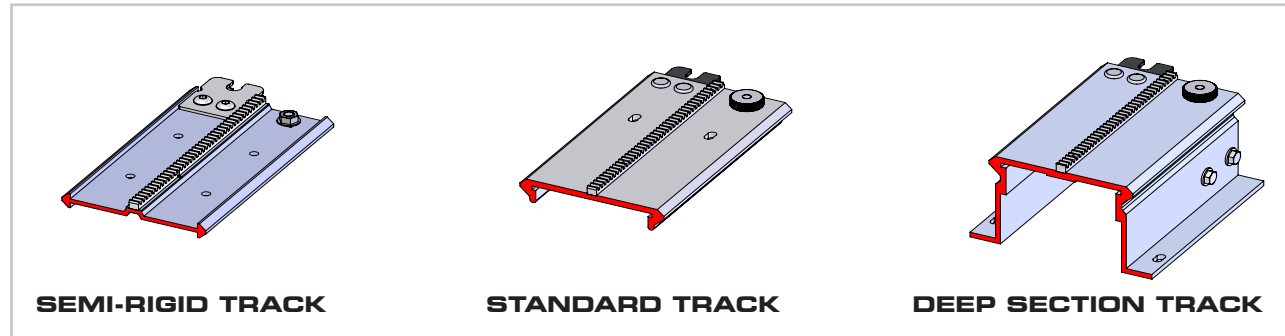


**UNIVERSALLY INDEPENDANT
OSCILLATOR HEAD**



Independent Oscillator Head Mounting and Positioning allows the head to be positioned to suit the weld joint, regardless of the carriage position.

COMPATIBLE WITH NEW AND EXISTING TRACK SECTIONS

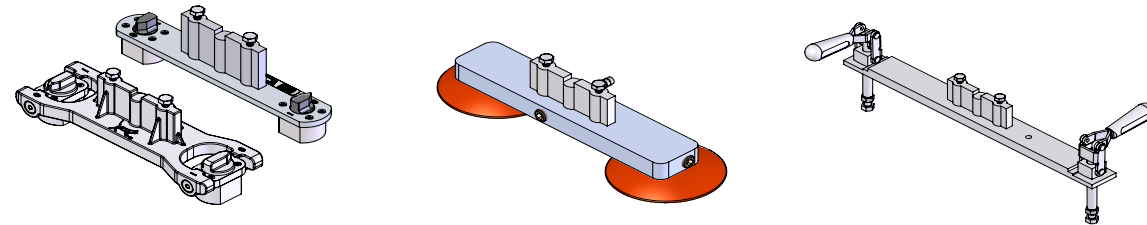


SEMI-RIGID TRACK

STANDARD TRACK

DEEP SECTION TRACK

COMPATIBLE WITH NEW AND EXISTING TRACK SECTIONS



Powerful On/Off Magnets Available with 1 or 2 track mounting pads instead of magnets

Vacuum Cups available with 1 or 2 stainless steel tack mounting pads instead of Vacuum Cups

Plunger Levers suitable for track sections formed into rings



GULLCO

GULLCO.COM

WELDING AND CUTTING AUTOMATION
PRODUCTIVITY - DURABILITY - SERVICE

KAT® 300 SERIES
ENGINEERED . FEATURE RICH

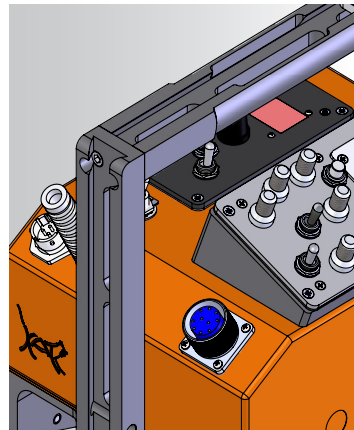
KAT, KBM, MOGGY, KATBAK & SAM are registered trademarks of Gullco Enterprises Limited

SPECIFICATIONS ARE SUBJECT TO CHANGE WITHOUT NOTICE

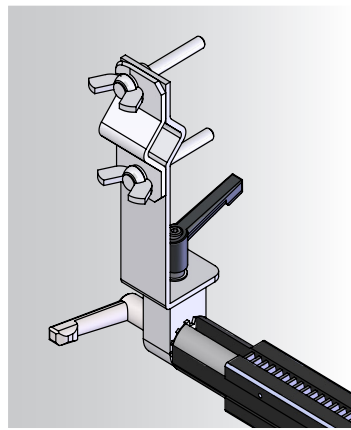
Distributed by:

GULLCO		
CANADA - GULLCO INTERNATIONAL LIMITED		
Phone: 1-905-953-4140	Fax: 1-905-953-4138	e-mail: sales@gullco.com
U.S.A - GULLCO INTERNATIONAL INC.		
Phone: 1-440-439-8333	Fax: 1-234 808-4146	e-mail: ussales@gullco.com
EUROPE - GULLCO INTERNATIONAL (U.K.) LIMITED		
Phone: +44 1257-253579	Fax: +44 1257-254629	e-mail: uksales@gullco.com
AUSTRALIA - GULLCO INTERNATIONAL PTY LIMITED		
Phone: 61 (0)7 3348 5515	Fax: 61 (0)7 3348 5510	e-mail: ausales@gullco.com
INDIA - GULLCO INTERNATIONAL INDIA PVT LIMITED		
Phone: +91-20-2551-1433	Fax: +91-20-2551-1433	e-mail: indsales@gullco.com
CHINA - GULLCO INTERNATIONAL SHANGHAI LIMITED		
Phone: +8621-50460341	Fax: +8621-50463554	e-mail: c.zhang@gullco.com
SINGAPORE - GULLCO INTERNATIONAL LIMITED		
Phone: +65-9385-4468		e-mail: benny.lim@gullco.com
LATIN AMERICA - GULLCO INTERNATIONAL LIMITED		
Phone: 55-11-99485-1336		e-mail: rogerio.macedo@gullco.com
GERMANY - ms gmbh Melchior Schweißtechnik		
Phone: +49(0)173 5437722	Fax: +49(0)208 999 38-38	e-mail: christian.mertens@ms-gmbh.com

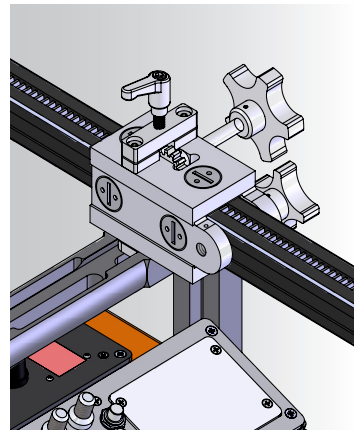
GULLCO.COM



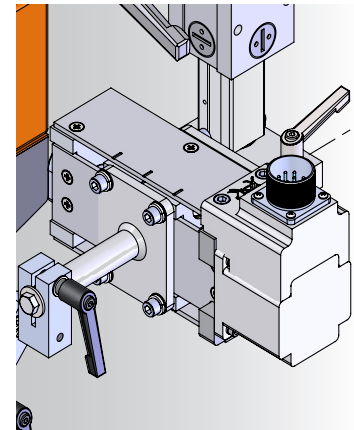
VARIABLE POSITION RACK MOUNTING HANDLE



VERSATILE CABLE CLAMP

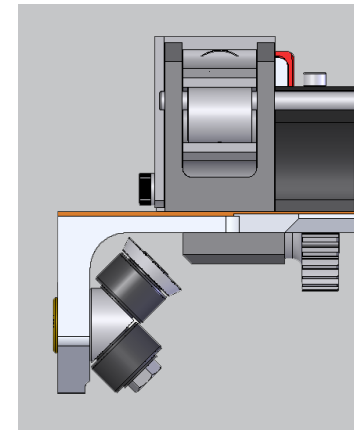


QUICK INSTALL/ADJUSTMENT RACK BOX

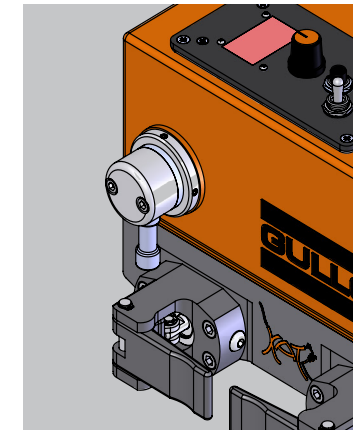


INDEPENDANT OSCILLATOR HEAD

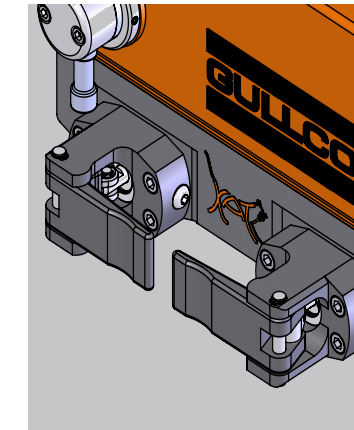
Universally adjustable oscillation head mounting and positioning. 2" (51mm) Linear Oscillator Head (Also available in a 4" (102mm) Stroke or a Radial Oscillator Head)



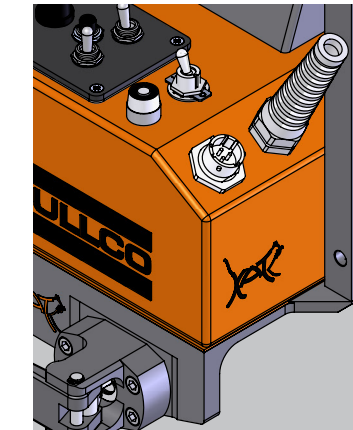
INDUSTRY PROVEN CARRIAGE DRIVE SYSTEM



QUICK ENGAGE DRIVE GEAR CLUTCH

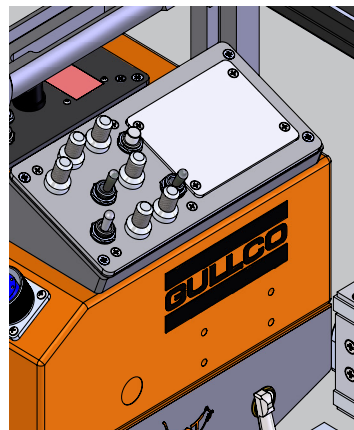


PADDLE LOCK SELF ALIGNING WHEELS



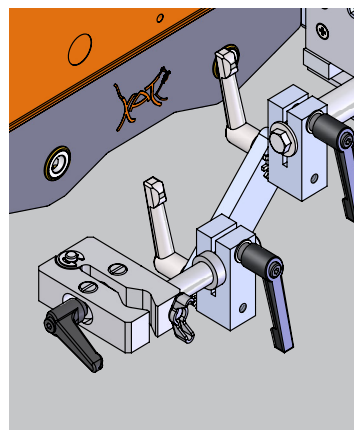
AUTOMATIC ARC ACTIVATION SIGNAL

Easy carriage to track mounting system uses self aligning wheels and quick operation latches to facilitate attaching the carriage anywhere along the track.



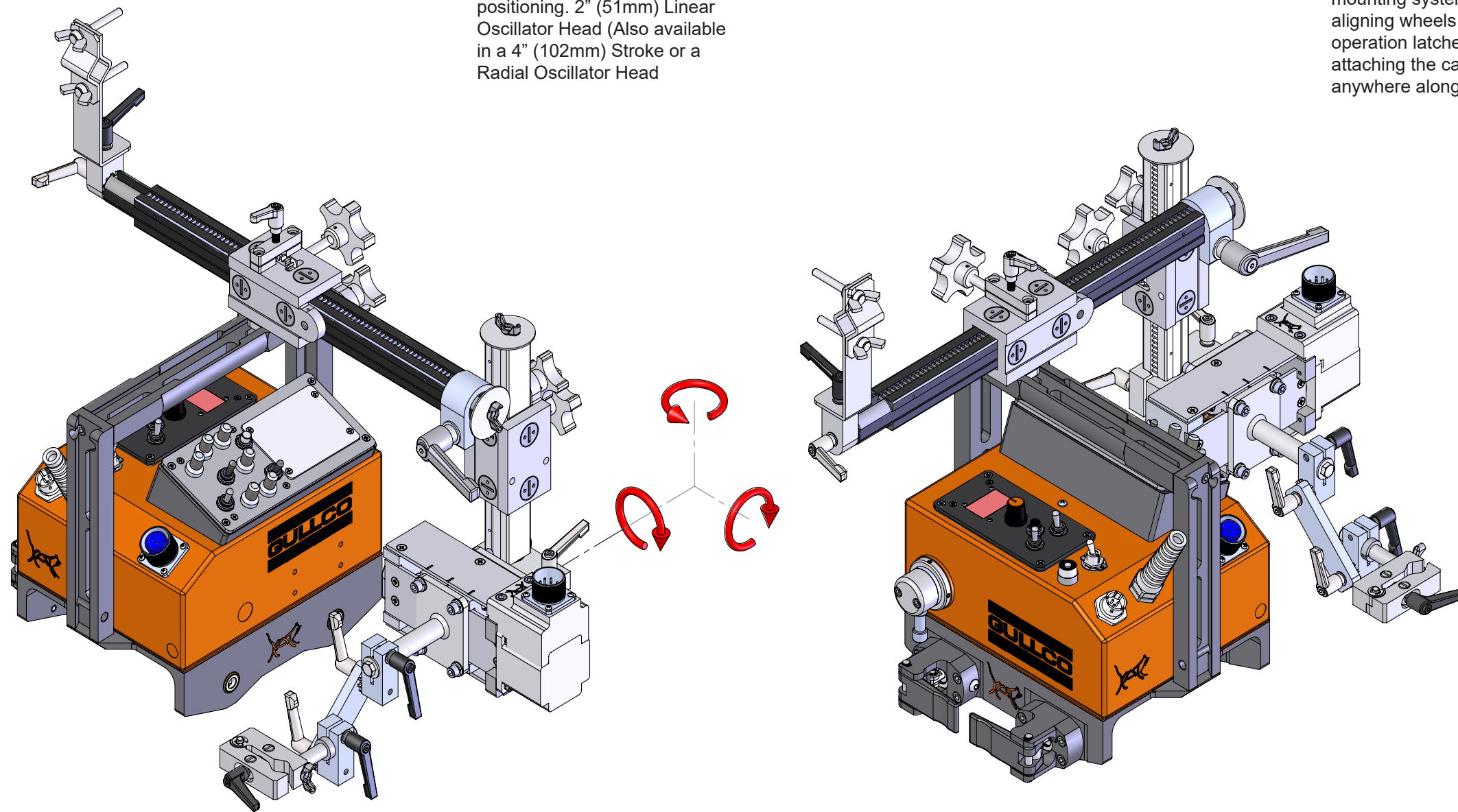
INDUSTRY PROVEN OSCILLATOR CONTROL

High visibility LED display. Precision control of carriage travel, oscillation speed, oscillation width and dwells



QUICK RELEASE INSULATED TORCH HOLDER

Detach and re-attach the Torch Holder quickly and accurately.



ADDITIONAL CARRIAGE FEATURES

The Gullco KAT® is used throughout the world to automate a wide variety of welding and cutting operations. The KAT® is small and light yet robust with many features which include:

- Tool-less Setup, Adjustment & Operation
- OSHA Safety Orange
- Ingress Protection (Sealed Unit) including Conformal Coated Circuit Boards
- Energy Efficient
- Universal Compatibility to all welding power sources and wire feeders
- Compatible with all existing rigid track and the new semi rigid track sections